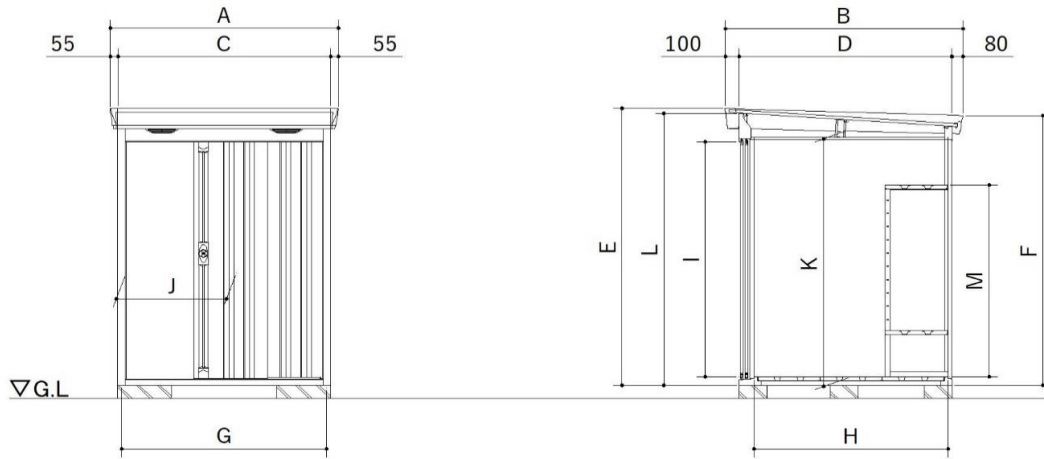


FORTA <FSシリーズ1>

詳細寸法表(間口1370mm~1530mm)



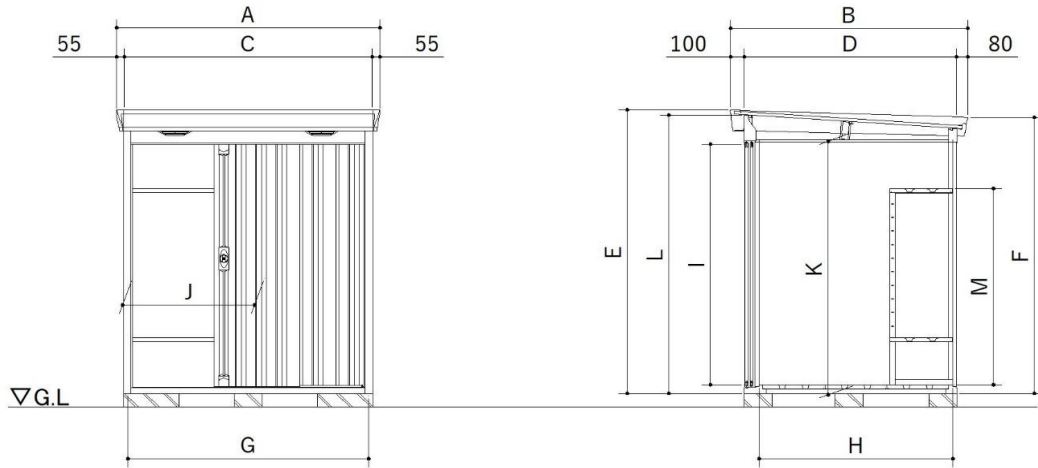
M: 棚板は346~1446まで12段調節
(100mmピッチ)

| 機種 | 面積 (m ²) | 屋根回り寸法 | | 土台回り寸法 | | 高さ寸法 | | 内部寸法 | | 開口部寸法 | | 内高 K | 軒高 L | 母屋中 の本数 |
|----------|-------------------------|--------|-------|--------|-------|-------|-------|-------|-------|-------|-----|---------|---------|------------|
| | | A | B | C | D | E | F | G | H | I | J | | | |
| FS-1409S | 1.30 | 1,480 | 1,130 | 1,370 | 950 | 2,085 | 2,030 | 1,313 | 807 | 1,770 | 675 | 1,872 | 2,045 | 0 |
| FS-1414S | 1.88 | | 1,550 | | 1,370 | | | | 1,227 | | | 1,844 | 2,045 | 1 |
| FS-1415S | 2.10 | | 1,710 | | 1,530 | | | | 1,387 | | | 1,844 | 2,045 | 1 |
| FS-1418S | 2.45 | | 1,970 | | 1,790 | | | | 1,647 | | | 1,828 | 2,045 | 2 |
| FS-1422S | 3.03 | | 2,390 | | 2,210 | | | | 2,067 | | | 1,828 | 2,045 | 2 |
| FS-1426S | 3.60 | | 2,810 | | 2,630 | | | | 2,487 | | | 1,819 | 2,045 | 3 |
| FS-1509S | 1.45 | 1,640 | 1,130 | 1,530 | 950 | 2,085 | 2,030 | 1,473 | 807 | 1,770 | 795 | 1,872 | 2,045 | 0 |
| FS-1514S | 2.10 | | 1,550 | | 1,370 | | | | 1,227 | | | 1,844 | 2,045 | 1 |
| FS-1515S | 2.34 | | 1,710 | | 1,530 | | | | 1,387 | | | 1,844 | 2,045 | 1 |
| FS-1518S | 2.74 | | 1,970 | | 1,790 | | | | 1,647 | | | 1,828 | 2,045 | 2 |
| FS-1522S | 3.38 | | 2,390 | | 2,210 | | | | 2,067 | | | 1,828 | 2,045 | 2 |
| FS-1526S | 4.02 | | 2,810 | | 2,630 | | | | 2,487 | | | 1,819 | 2,045 | 3 |

単位: mm

FORTA <FSシリーズ2>

詳細寸法表(間口1790mm~2210mm)



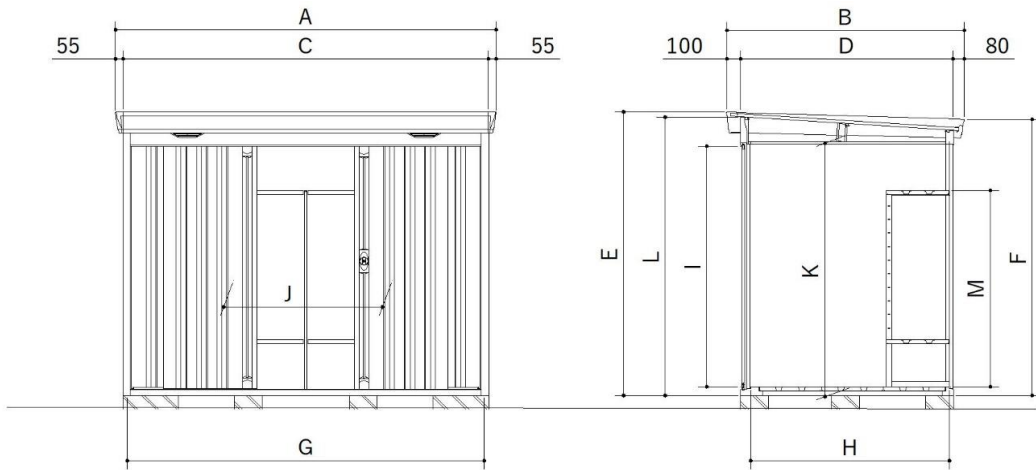
M: 棚板はS:346~1446まで12段調節
H:346~1746まで15段調節
(100mmピッチ)

| 機種 | 面積 (m ²) | 屋根回り寸法 | | 土台回り寸法 | | 高さ寸法 | | 内部寸法 | | 開口部寸法 | | 内高 K | 軒高 L | 母屋中 の本数 | | |
|----------|-------------------------|--------|-------|--------|-------|-------|-------|-------|-------|-------|-------|---------|--------------------|------------|-------|---|
| | | A | B | C | D | E | F | G | H | I | J | | | | | |
| FS-1809S | 1.70 | 1,900 | 1,130 | 1,790 | 950 | 2,085 | 2,030 | 1,733 | 807 | 1,770 | 954 | 1,872 | 2,045 | 0 | | |
| FS-1814S | 2.45 | | 1,550 | | 1,370 | 2,085 | 2,030 | | 1,227 | 1,770 | | 2,070 | 1,844 豪: 1,814 | 2,045 | 2,345 | 1 |
| FS-1814H | | | | | | 2,385 | 2,330 | | | | | | | | | |
| FS-1815S | 2.74 | | 1,710 | | 1,530 | 2,085 | 2,030 | | 1,387 | 1,770 | | 2,070 | 1,844 豪: 1,814 | 2,045 | 2,345 | 1 |
| FS-1815H | | | | | | 2,385 | 2,330 | | | | | | | | | |
| FS-1818S | 3.20 | | 1,970 | | 1,790 | 2,085 | 2,030 | | 1,647 | 1,770 | | 2,070 | 1,828 豪: 1,798 | 2,045 | 2,345 | 2 |
| FS-1818H | | | | | | 2,385 | 2,330 | | | | | | | | | |
| FS-1822S | 3.96 | | 2,390 | | 2,210 | 2,085 | 2,030 | | 2,067 | 1,770 | | 2,070 | 1,828 豪: 1,798 | 2,045 | 2,345 | 2 |
| FS-1822H | | | | | | 2,385 | 2,330 | | | | | | | | | |
| FS-1826S | 4.71 | | 2,810 | | 2,630 | 2,085 | 2,030 | | 2,487 | 1,770 | | 2,070 | 1,819 豪: 1,789 | 2,045 | 2,345 | 3 |
| FS-1826H | | 2,385 | | 2,330 | | | | | | | | | | | | |
| FS-2209S | 2.10 | 2,320 | 1,130 | 2,210 | 950 | 2,085 | 2,030 | 2,153 | 807 | 1,770 | 1,248 | 1,872 | 2,045 | 0 | | |
| FS-2214S | 3.03 | | 1,550 | | 1,370 | 2,085 | 2,030 | | 1,227 | 1,770 | | 2,070 | 1,844 多豪: 1,814 | 2,045 | 2,345 | 1 |
| FS-2214H | | | | | | 2,385 | 2,330 | | | | | | | | | |
| FS-2215S | 3.38 | | 1,710 | | 1,530 | 2,085 | 2,030 | | 1,387 | 1,770 | | 2,070 | 1,844 多豪: 1,814 | 2,045 | 2,345 | 1 |
| FS-2215H | | | | | | 2,385 | 2,330 | | | | | | | | | |
| FS-2218S | 3.96 | | 1,970 | | 1,790 | 2,085 | 2,030 | | 1,647 | 1,770 | | 2,070 | 1,828 多豪: 1,798 | 2,045 | 2,345 | 2 |
| FS-2218H | | | | | | 2,385 | 2,330 | | | | | | | | | |
| FS-2222S | 4.88 | | 2,390 | | 2,210 | 2,085 | 2,030 | | 2,067 | 1,770 | | 2,070 | 1,828 多豪: 1,798 | 2,045 | 2,345 | 2 |
| FS-2222H | | | | | | 2,385 | 2,330 | | | | | | | | | |
| FS-2226S | 5.81 | | 2,810 | | 2,630 | 2,085 | 2,030 | | 2,487 | 1,770 | | 2,070 | 1,819 多豪: 1,789 | 2,045 | 2,345 | 3 |
| FS-2226H | | | | | | 2,385 | 2,330 | | | | | | | | | |
| FS-2230S | 6.74 | | 3,230 | | 3,050 | 2,085 | 2,030 | | 2,907 | 1,770 | | 2,070 | 1,819 多豪: 1,789 | 2,045 | 2,345 | 3 |
| FS-2230H | | 2,385 | | 2,330 | | | | | | | | | | | | |

単位: mm

FORTA <FSシリーズ3>

詳細寸法表(間口2630mm~3050mm)



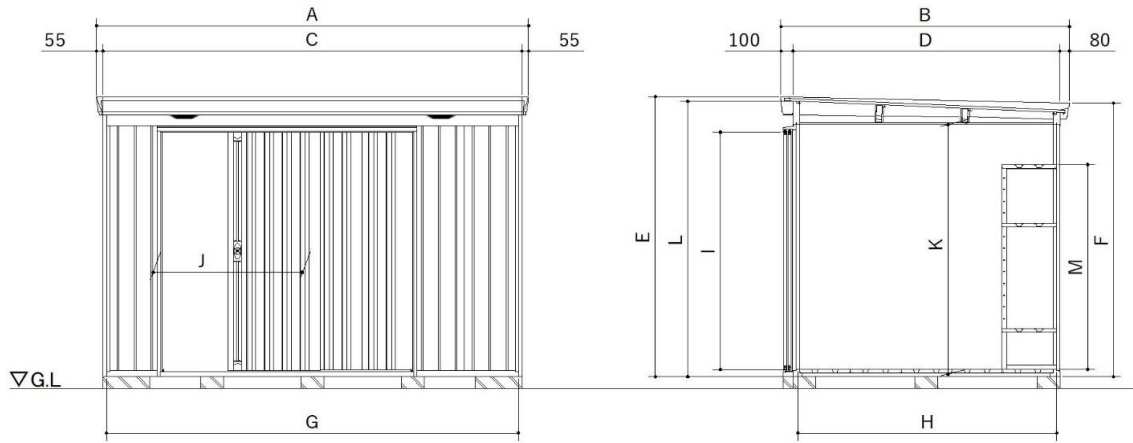
M: 棚板はS:346~1446まで12段調節
 H:346~1746まで15段調節
 (100mmピッチ)

| 機種 | 面積 (㎡) | 屋根回り寸法 | | 土台回り寸法 | | 高さ寸法 | | 内部寸法 | | 開口部寸法 | | 内高 K | 軒高 L | 母屋中 の本数 | |
|----------|-----------|--------|-------|--------|-------|-------|--------------------|-------|-------|-------|-------|---------|--------------------|------------|-------|
| | | A | B | C | D | E | F | G | H | I | J | | | | |
| FS-2609S | 2.50 | 2,740 | 1,130 | 2,630 | 950 | 2,085 | 2,030 | 2,573 | 842 | 1,770 | 1,143 | 1,872 | 2,045 | 0 | |
| FS-2614S | 3.60 | | 1,550 | | 1,370 | 2,085 | 2,030 | | 1,262 | 1,770 | | 2,070 | 1,844 多豪: 1,814 | 2,045 | 1 |
| FS-2614H | | | | | | 2,385 | 2,330 | | | | | | | | |
| FS-2615S | 4.02 | | 1,710 | | 1,530 | 2,085 | 2,030 | | 1,682 | 1,770 | | 2,070 | 1,844 多豪: 1,814 | 2,045 | 1 |
| FS-2615H | | | | | | 2,385 | 2,330 | | | | | | | | |
| FS-2618S | 4.71 | | 1,970 | | 1,790 | 2,085 | 2,030 | | 2,522 | 1,770 | | 2,070 | 1,828 多豪: 1,798 | 2,045 | 2 |
| FS-2618H | | | | | | 2,385 | 2,330 | | | | | | | | |
| FS-2622S | 5.81 | | 2,390 | | 2,210 | 2,085 | 2,030 | | 2,942 | 1,770 | | 2,070 | 1,828 多豪: 1,798 | 2,045 | 2 |
| FS-2622H | | | | | | 2,385 | 2,330 | | | | | | | | |
| FS-2626S | 6.92 | | 2,810 | | 2,630 | 2,085 | 2,030 | | 2,942 | 1,770 | | 2,070 | 1,819 多豪: 1,789 | 2,045 | 3 |
| FS-2626H | | | | | | 2,385 | 2,330 | | | | | | | | |
| FS-2630S | 8.02 | | 3,230 | | 3,050 | 2,085 | 2,030 | | 2,942 | 1,770 | | 2,070 | 1,819 多豪: 1,789 | 2,045 | 3 |
| FS-2630H | | 2,385 | | 2,330 | | 2,942 | 1,770 多豪: 2,089 | 2,345 | | | | | | | |
| FS-3009S | 2.90 | 3,160 | 1,130 | 3,050 | 950 | | | | 2,085 | 2,030 | 2,993 | 842 | 1,770 | 1,353 | 1,872 |
| FS-3014S | 4.18 | | 1,550 | | 1,370 | 2,085 | 2,030 | 1,262 | 1,770 | 1,814 | | 2,045 | 1 | | |
| FS-3015S | 4.67 | | 1,710 | | 1,530 | 2,085 | 2,030 | 1,422 | 1,770 | 1,814 | | 2,045 | 1 | | |
| FS-3018S | 5.46 | | 1,970 | | 1,790 | 2,085 | 2,030 | 1,682 | 1,770 | 1,798 | | 2,045 | 2 | | |
| FS-3018H | | | | | | 2,385 | 2,330 | | | | | | | | 2,102 |
| FS-3022S | 6.74 | | 2,390 | | 2,210 | 2,085 | 2,030 | 2,522 | 1,770 | 2,070 | | 1,798 | 2,045 | | |
| FS-3022H | | | | | | 2,385 | 2,330 | | | | | | | | 2,942 |
| FS-3026S | 8.02 | | 2,810 | | 2,630 | 2,085 | 2,030 | 2,942 | 1,770 | 2,070 | | 1,789 | 2,045 | | |
| FS-3026H | | | | | | 2,385 | 2,330 | | | | | | | | 2,942 |
| FS-3030S | 9.30 | | 3,230 | | 3,050 | 2,085 | 2,030 | 2,942 | 1,770 | 2,070 | | 1,789 | 2,045 | | |
| FS-3030H | | | | | | 2,385 | 2,330 | | | | | | | | 2,942 |

単位:mm

FORTA <FSシリーズ4>

詳細寸法表(間口3540mm)



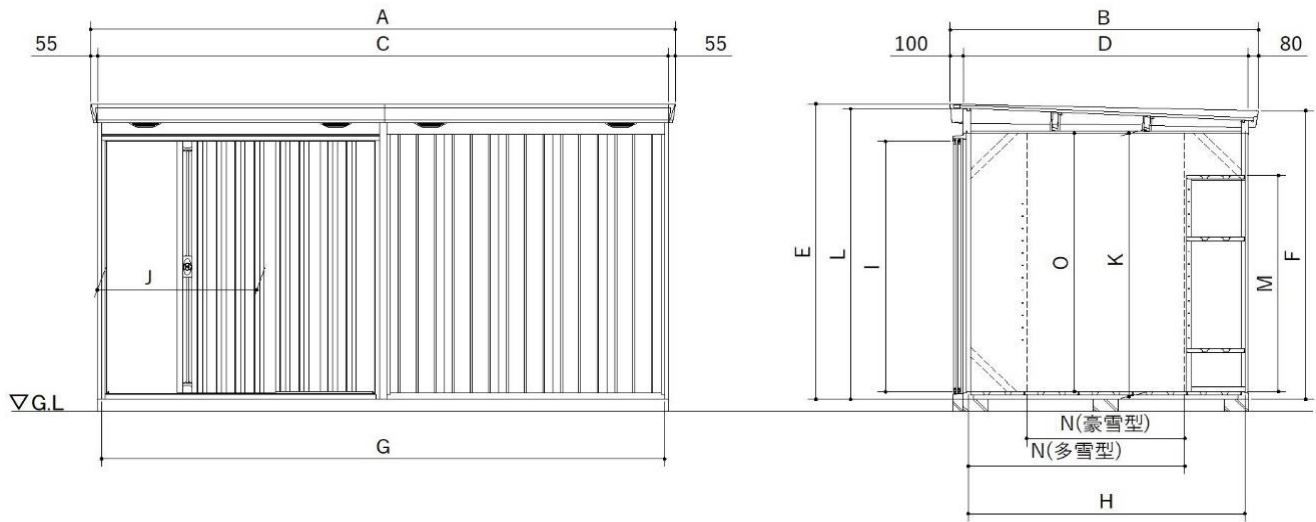
M: 棚板はS:346~1446まで12段調節
 H:346~1746まで15段調節
 (100mmピッチ)

| 機種 | 面積 (m ²) | 屋根回り寸法 | | 土台回り寸法 | | 高さ寸法 | | 内部寸法 | | 開口部寸法 | | 内高 K | 軒高 L | 母屋中 の本数 |
|----------|-------------------------|--------|-------|--------|-------|-------|-------|-------|-------|-------|-------|---------|---------|------------|
| | | A | B | C | D | E | F | G | H | I | J | | | |
| FS-3518S | 6.21 | 3,580 | 1,970 | 3,470 | 1,790 | 2,085 | 2,030 | 3,413 | 1,724 | 1,723 | 1,236 | 1,798 | 2,045 | 2 |
| FS-3518H | | | | | | 2,385 | 2,330 | | | 2,023 | | 2,098 | 2,345 | |
| FS-3522S | 7.67 | | 2,390 | | 2,210 | 2,085 | 2,030 | | 2,144 | 1,723 | | 1,798 | 2,045 | |
| FS-3522H | | | | | | 2,385 | 2,330 | | | 2,023 | | 2,098 | 2,345 | |
| FS-3526S | 9.13 | 2,810 | 2,630 | 2,630 | 2,085 | 2,030 | 2,564 | 1,723 | 1,789 | 2,045 | 2,089 | 2,345 | 3 | |
| FS-3526H | | | | | 2,385 | 2,330 | | 2,023 | 2,089 | 2,345 | | | | |

単位:mm

FORTA <FSシリーズ5>

詳細寸法表(間口3580mm~5260mm)



※多雪型は梁中補強パネルが1枚、豪雪型は梁中補強パネルが2枚付きます。

L: 軒高2345

O: 梁中下内高2088

M: 棚板は一般型:346~1746まで15段調節 多雪・豪雪型:346~1646まで14段調節 (100mmピッチ)

| 機種 | 面積 (m ²) | 屋根回り寸法 | | 土台回り寸法 | | 高さ寸法 | | 内部寸法 | | | 開口部寸法 | | 内高 K | 母屋中 の本数 |
|----------|-------------------------|--------|-------|--------|-------|-------|-------|-------|-------|----------------------|-------|---------------------|-----------------------|------------|
| | | A | B | C | D | E | F | G | H | N | I | J | | |
| FS-3618H | 6.41 | 3,690 | 1,970 | 3,580 | 1,790 | 2,385 | 2,330 | 3,523 | 1,717 | 多: 1,240 豪: 801 | 2,023 | 954 | 一多: 2,128 豪: 2,098 | 2 |
| FS-3622H | 7.91 | | 2,390 | | 2,210 | 2,385 | | | 2,137 | 多: 1,660 豪: 1,221 | | | 一多: 2,128 豪: 2,098 | |
| FS-3626H | 9.42 | | 2,810 | | 2,630 | 2,385 | | | 2,557 | 多: 2,080 豪: 1,641 | | | 一多: 2,119 豪: 2,089 | |
| FS-4418H | 7.91 | 4,530 | 1,970 | 4,420 | 1,790 | 2,385 | 2,330 | 4,363 | 1,717 | 多: 1,240 豪: 801 | 2,023 | 一多: 1,236 豪: 954 | 一: 2,128 多豪: 2,098 | 2 |
| FS-4422H | 9.77 | | 2,390 | | 2,210 | 2,385 | | | 2,137 | 多: 1,660 豪: 1,221 | | 一多: 1,236 豪: 954 | 一: 2,128 多豪: 2,098 | |
| FS-5218H | 9.42 | 5,370 | 1,970 | 5,260 | 1,790 | 2,385 | 2,330 | 5,203 | 1,717 | 多: 1,240 豪: 801 | 2,023 | 一多: 1,236 豪: 954 | 一: 2,128 多豪: 2,098 | 2 |

単位:mm